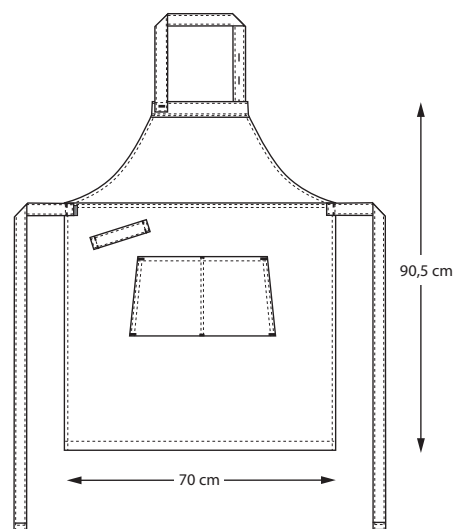


New Nordic

6100811 BOILER APRON (Ordernumber: 6100811-0300)

Functional boiler apron inspired by traditional Nordic workwear and designed for the chefs and waiters of today. The apron has adjustable neck strap and can be tied at front or back depending what look you want. At front is a service strap, for handy placement of hand towels when working in dining area and in kitchen. Two kangaroo pockets with 3D effect for extra volume will hold all needed devises when serving and helping customers.

COLOURS:



FACTS:

- Neck strap with adjustable length
- Tighten with straps at hip
- Service strap for towel
- Two Kangaroo pockets with 3D effect
- One size

QUALITY: 67/33% polyester/cotton - 325 g/m²

STOCK SIZES: ONE - SIZE: L:90,5 x W:70 cm

CERTIFICERING & OUR ICONS:



FINISHED MEASURES BEFORE WASHING:

One - Size



*Please note: Final measures will depend on tolerance in garment making (See above) and measuring method (+/- 0.5 cm)
Also note: Washing and drying conditions in industrial laundering can further more give a shrinkage up to 3-5% (Depending of material)
All models meet the requirements industrial laundry. Washing instructions on our homepage www.nybo.com*

DOMESTIC LAUNDERING:



PURVEYOR TO H. M. THE QUEEN OF DENMARK
NYBO
WORKWEAR SINCE 1962